

# 89FRP-1164

## Black Freestanding Inflator



The FRP model is purpose-built for service stations without an external air source, featuring an in-built compressor for safe, accurate and reliable tyre inflation. Its durable extruded enclosure houses high-quality piezo switches and a ceramic pressure sensor for long-lasting performance. Operates in PSI or kPa, with a 'Flat Tyre Only' mode for low-pressure tyres. The kit includes a compressor, 10m hose, and coupling cover, with optional water tap, retractable hose systems, custom colours, and decals to match corporate branding.



### Features



#### Designed for Forecourts

Purpose made freestanding unit with cast baseplate & extruded aluminium body.



#### Safe & Accurate

Supplied with 10 metre air hose and Clip On Air chuck ensuring safe and accurate tyre pressure.



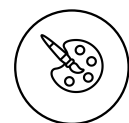
#### Easy Install

Easy to install, including an inbuilt compressor.



#### Reliable & User Friendly

High reliability (vandal resistant) Piezo switches. For a user friendly experience.



#### Multiple Colour Options

Colour, branding and decal options available, to enhance corporate image.

### Optional Item



#### Water Converter Kit

##### Optional water tap

Offers customers the added convenience of a built-in water tap at the same unit. Water decal also available to compliment user experience.

# Technical Data

## Black Freestanding Inflator

---



### Specifications




---

<b>Construction</b>	Extruded Aluminium Enclosure (IP 46)
<b>Power</b>	220 ~ 240VAC (Optional 12VDC)
<b>Dimensions</b>	390W x 1400H x 440Dmm
<b>Measurement</b>	psi   kPa
<b>Range</b>	5 ~ 60 psi   35 ~ 415 kPa (145 psi option on request)
<b>Accuracy</b>	± 0.5% Full Scale

---

### Included Parts

---

	22.0000	Hose Coupling Cover
	61.0008	Hose Assy Standard Black 10m
	31.0235	Compressor Assembly, Gast, 240V 50Hz, 8.6bar, c/w conversion kit, FRP

---

### Warranty

---

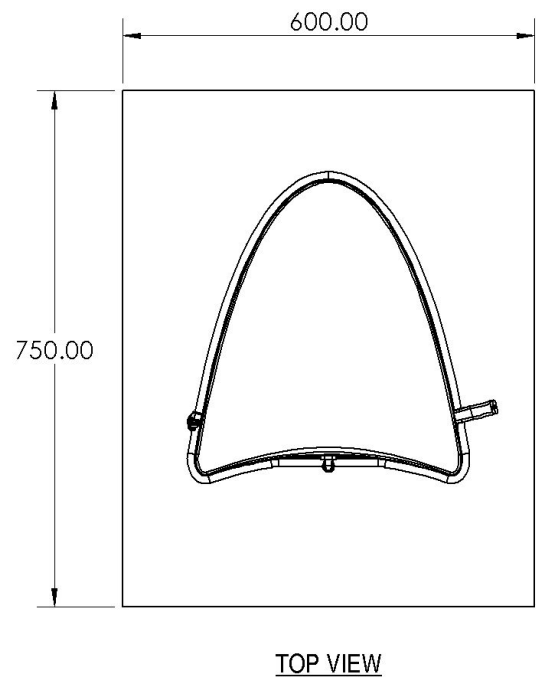
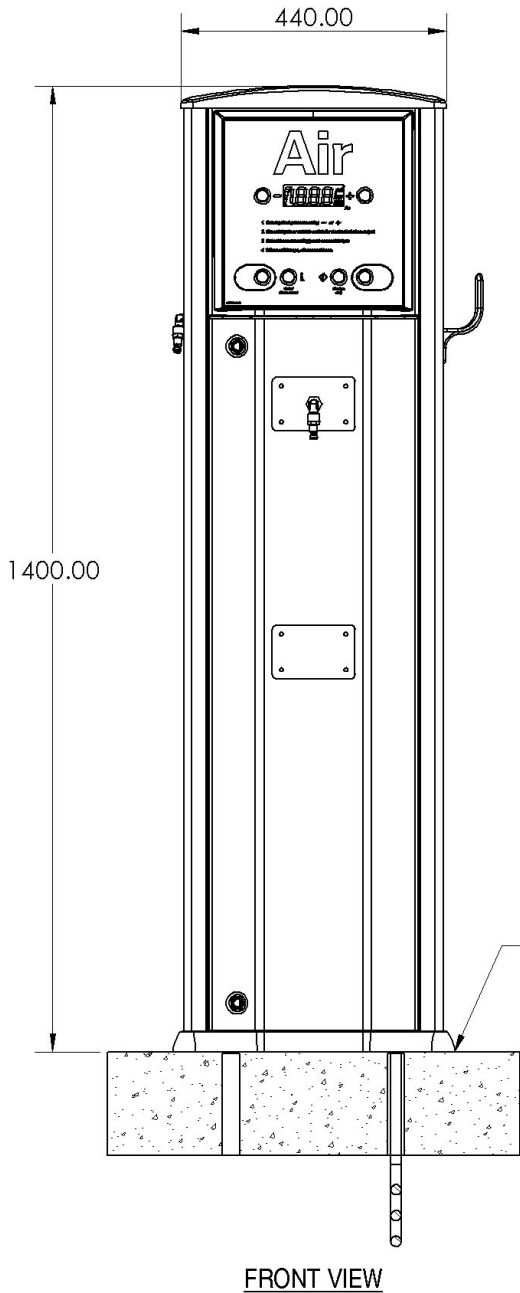
#### Manufacturer's Warranty

For warranty information please visit our website  
[www.airteccorporation.com](http://www.airteccorporation.com)

---

# Technical Data

## Black Freestanding Inflator



# Technical Data

## Black Freestanding Inflator

---

